



500 WATT HALOGEN FLOOR SHOP LIGHT

Model 66433

SET UP AND OPERATING INSTRUCTIONS



Distributed exclusively by Harbor Freight Tools®.

3491 Mission Oaks Blvd., Camarillo, CA 93011

Visit our website at: <http://www.harborfreight.com>



**Read this material before using this product.
Failure to do so can result in serious injury.
SAVE THIS MANUAL.**

Copyright© 2008 by Harbor Freight Tools®. All rights reserved. No portion of this manual or any artwork contained herein may be reproduced in any shape or form without the express written consent of Harbor Freight Tools. Diagrams within this manual may not be drawn proportionally. Due to continuing improvements, actual product may differ slightly from the product described herein. Tools required for assembly and service may not be included.

For technical questions or replacement parts, please call 1-800-444-3353.

SAVE THIS MANUAL

Keep this manual for the safety warnings and precautions, assembly, operating, inspection, maintenance and cleaning procedures. Write the product's serial number in the back of the manual near the assembly diagram (or month and year of purchase if product has no number). Keep this manual and the receipt in a safe and dry place for future reference.

IMPORTANT SAFETY INFORMATION

In this manual, on the labeling, and all other information provided with this product:



This is the safety alert symbol. It is used to alert you to potential personal injury hazards. Obey all safety messages that follow this symbol to avoid possible injury or death.

! DANGER

DANGER indicates a hazardous situation which, if not avoided, will result in death or serious injury.

! WARNING

WARNING indicates a hazardous situation which, if not avoided, could result in death or serious injury.

! CAUTION

CAUTION, used with the safety alert symbol, indicates a hazardous situation which, if not avoided, could result in minor or moderate injury.

NOTICE

NOTICE is used to address practices not related to personal injury.

CAUTION

CAUTION, without the safety alert symbol, is used to address practices not related to personal injury.

GENERAL SAFETY RULES



WARNING! Read all instructions. Failure to follow all instructions listed below may result in electric shock, fire, and/or serious injury.

SAVE THESE INSTRUCTIONS

IMPORTANT SAFETY RULES

INSTRUCTIONS PERTAINING TO A RISK OF FIRE, ELECTRIC SHOCK, EXPOSURE TO EXCESSIVE UV RADIATION, OR INJURY TO PERSONS.

1. Turn off/unplug and allow to cool before replacing bulb.
2. Bulb gets HOT quickly! Only contact switch/plug when turning on.
3. Do not touch hot lens (22), guard (25), or enclosure (16). (See assembly diagram.)
4. Do not remain in light if skin feels warm.
5. Do not look directly at lighted lamp.
6. Keep lamp away from materials that may burn.
7. Use only with a 500 watt or smaller bulb.

8. Do not touch the bulb at any time. Use a soft cloth. Oil from skin may damage bulb.
9. Do not operate the Light with a missing or damaged housing (16), lens (22), or grid (25). (See assembly diagram.)
10. Risk of electric shock. Do not use with extension cord near water or where water may accumulate. Keep lamp at least 16 feet (5m) from pools and spas. Keep plugs and receptacles dry. For use only on GFCI-protected circuits. Suitable for wet location use.
11. Maintain labels and nameplates on the Light. These carry important safety information. If unreadable or missing, contact Harbor Freight Tools for a replacement.
12. Avoid unintentional starting. Prepare to begin work before turning on the Light.
13. Allow the unit to cool down before changing bulbs or storing it.
14. This product is not intended for use in a residence or to be mounted in a cabinet. This product is not suitable for recessed installation in ceilings or on buildings. This product can cause a fire.
15. Do not leave the Light unattended when it is plugged into an electrical outlet. Turn off the Light, and unplug it from its electrical outlet before leaving.
16. This product is not a toy. Keep it out of reach of children.
17. People with pacemakers should consult their physician(s) before use. Electromagnetic fields in close proximity to heart pacemaker could cause pacemaker interference or pacemaker failure. In addition, people with pacemakers should:
 - Avoid operating alone.
 - Properly maintain and inspect to avoid electrical shock.
 - Any power cord must be properly grounded. Ground Fault Circuit Interrupter (GFCI) should also be implemented – it prevents sustained electrical shock.
18. **WARNING:** Handling the cord on this product will expose you to lead, a chemical known to the State of California to cause cancer, and birth defects or other reproductive harm. Wash hands after handling. (California Health & Safety Code § 25249.5, *et seq.*)
19. The warnings, precautions, and instructions discussed in this instruction manual cannot cover all possible conditions and situations that may occur. It must be understood by the operator that common sense and caution are factors which cannot be built into this product, but must be supplied by the operator.

General Safety Rules

1. **Work area safety**
 - a. Keep work area clean and well lit. *Cluttered or dark areas invite accidents.*
 - b. Do not operate Lights in explosive atmospheres, such as in the presence of flammable liquids, gases or

dust. *Halogen Lights create heat which may ignite the dust or fumes.*

- c. **Keep children and bystanders away while operating. *Distractions can cause you to lose control.***

2. **Electrical safety**

- a. Light plugs must match the outlet. Never modify the plug in any way. Do not use any adapter plugs with grounded Lights. *Unmodified plugs and matching outlets will reduce risk of electric shock.*
- b. Avoid body contact with grounded surfaces such as pipes, radiators, ranges and refrigerators. *There is an increased risk of electric shock if your body is grounded.*
- c. **Do not abuse the cord. Never use the cord for carrying, pulling or unplugging the Light. Keep cord away from heat, oil, sharp edges or moving parts. *Damaged or entangled cords increase the risk of electric shock.***
- d. When operating a Light outdoors, use an extension cord suitable for outdoor use. *Use of a cord suitable for outdoor use reduces the risk of electric shock.*

3. **Personal safety**

- a. Stay alert, watch what you are doing and use common sense when operating a Light. Do not use a Light while you are tired or under the influence of drugs, alcohol or medication. *A moment of inattention while operating Lights may result in serious personal injury.*
- b. **Use safety equipment. Always wear eye protection. *Safety***

equipment such as dust mask, non-skid safety shoes, hard hat, or hearing protection used for appropriate conditions will reduce personal injuries.

- c. Avoid accidental starting. Ensure the switch is in the off-position before plugging in. *Plugging in Lights that have the switch on invites accidents.*
- d. Do not overreach. Keep proper footing and balance at all times. *This enables better control of the Light in unexpected situations.*
- e. Dress properly. Do not wear loose clothing or jewelry. Keep your hair, clothing and gloves away from moving parts. *Loose clothes, jewelry or long hair can be caught in moving parts.*

4. **Light use and care**

- a. Do not use the Light if the switch does not turn it on and off. *Any Light that cannot be controlled with the switch is dangerous and must be repaired.*
- b. **Disconnect the plug from the power source before making any adjustments or storing Lights. *Such preventive safety measures reduce the risk of starting the Light accidentally.***
- c. Maintain Lights. Check for breakage of parts and any other condition that may affect the Light's operation. If damaged, have the Light repaired before use.
- d. Use the Light, in accordance with these instructions and in the manner intended for the particular type of Light, taking into account the working conditions and the work

to be performed. *Use of the Light for operations different from those intended could result in a hazardous situation.*

5. **Service**

- a. Have your Light serviced by a qualified repair person using only identical replacement parts. *This will ensure that the safety of the Light is maintained.*



SAVE THESE INSTRUCTIONS.

GROUNDING



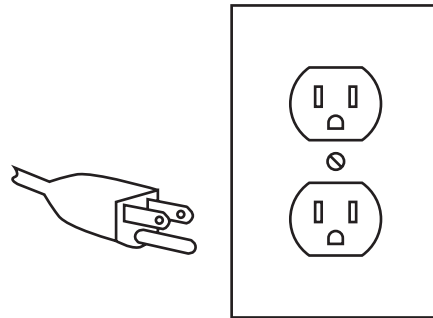
WARNING TO PREVENT ELECTRIC SHOCK



AND DEATH FROM INCORRECT GROUNDING WIRE CONNECTION:

Check with a qualified electrician if you are in doubt as to whether the outlet is properly grounded. Do not modify the power cord plug provided with the tool. Never remove the grounding prong from the plug. Do not use the tool if the power cord or plug is damaged. If damaged, have it repaired by a service facility before use. If the plug will not fit the outlet, have a proper outlet installed by a qualified electrician.

Grounded Tools: Tools with Three Prong Plugs



3-Prong Plug and Outlet

1. Tools marked with “Grounding Required” have a three wire cord and three prong grounding plug. The plug must be connected to a properly grounded outlet. If the tool should electrically malfunction or break down, grounding provides a low resistance path to carry electricity away from the user, reducing the risk of electric shock. **(See 3-Prong Plug and Outlet.)**
2. The grounding prong in the plug is connected through the green wire inside the cord to the grounding system in the tool. The green wire in the cord must be the only wire connected to the tool’s grounding system and must never be attached to an electrically “live” terminal. **(See 3-Prong Plug and Outlet.)**
3. The tool must be plugged into an appropriate outlet, properly installed and grounded in accordance with all codes and ordinances. The plug and outlet should look like those in the preceding illustration. **(See 3-Prong Plug and Outlet.)**

Extension Cords






1. **Grounded** tools require a three wire extension cord. **Double Insulated** tools can use either a two or three wire extension cord.
2. As the distance from the supply outlet increases, you must use a heavier gauge extension cord. Using extension cords with inadequately sized wire causes a serious drop in voltage, resulting in loss of power and possible tool damage. **(See Table A.)**
3. The smaller the gauge number of the wire, the greater the capacity of the cord. For example, a 14 gauge cord can carry a higher current than a 16 gauge cord. **(See Table A.)**
4. When using more than one extension cord to make up the total length, make sure each cord contains at least the minimum wire size required. **(See Table A.)**
5. If you are using one extension cord for more than one tool, add the nameplate amperes and use the sum to determine the required minimum cord size. **(See Table A.)**
6. If you are using an extension cord outdoors, make sure it is marked with the suffix "W-A" ("W" in Canada) to indicate it is acceptable for outdoor use.
7. Make sure the extension cord is properly wired and in good electrical condition. Always replace a damaged extension cord or have it repaired by a qualified electrician before using it.
8. Protect the extension cords from sharp objects, excessive heat, and

damp or wet areas.

RECOMMENDED MINIMUM WIRE GAUGE FOR EXTENSION CORDS* (120/240 VOLT)					
NAMEPLATE AMPERES (at full load)	EXTENSION CORD LENGTH				
	25'	50'	75'	100'	150'
0 – 2.0	18	18	18	18	16
2.1 – 3.4	18	18	18	16	14
3.5 – 5.0	18	18	16	14	12
5.1 – 7.0	18	16	14	12	12
7.1 – 12.0	18	14	12	10	-
12.1 – 16.0	14	12	10	-	-
16.1 – 20.0	12	10	-	-	-

TABLE A * Based on limiting the line voltage drop to five volts at 150% of the rated amperes.

Symbology

	Double Insulated
	Canadian Standards Association
	Underwriters Laboratories, Inc.
	Volts Alternating Current
	Amperes
n ₀ xxxx/min.	No Load Revolutions per Minute (RPM)

SPECIFICATIONS

Electrical Requirements	120 V~ / 60 Hz / 3.9 A
Bulb	500W / 120 V~ Halogen (included)



UNPACKING

When unpacking, check to make sure that the item is intact and undamaged. If any parts are missing or broken, please call Harbor Freight Tools at the number shown on the cover of this manual as soon as possible.

SET UP INSTRUCTIONS



Read the **ENTIRE IMPORTANT SAFETY INFORMATION** section at the beginning of this manual including all text under subheadings therein before set up or use of this product.

WARNING

Risk of accidental starting; resulting in serious personal injury. Turn the Power Switch of the Light OFF and unplug it from the electrical outlet before assembling or making any adjustments.

Note: For additional information regarding the parts listed in the following pages, refer to the Assembly Diagram near the end of this manual.

WARNING

Deviation from the assembly instructions may result in a risk of fire or electric shock.

1. Slide the Bracket (13) over the Lower Grip (14), lining the hole in the Bracket up with the bolt hole in the Grip.
2. Insert the Knob (20) through the Concave Washer (34) and into the hole.
3. Remove the Bolt (38) at the top of the housing and open the Lamp Cover (24).
4. Insert the Bulb (27) into the Bulb Socket (18). Do not touch the Bulb with your bare hands; oil from skin will drastically shorten the life span of the bulb if not cleaned with rubbing alcohol and allowed to dry before use. Handle the bulb with a soft, clean cloth or clean work gloves instead.
5. Close the Lamp Cover (24) and secure with the Bolt (38).

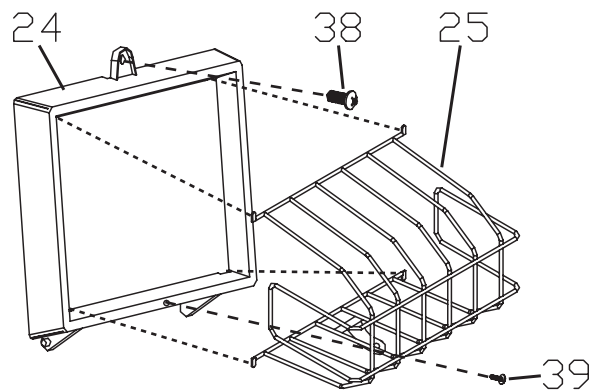


FIGURE A

6. Gently squeeze the Wire Cover (25) while placing its four tabs into the Lamp Cover (24). Secure the tab on the Wire Cover to the Lamp Cover using the Screw (39). (See Figure A.)

OPERATING INSTRUCTIONS



Read the **ENTIRE IMPORTANT SAFETY INFORMATION** section at the beginning of this manual including all text under subheadings therein before set up or use of this product.

1. Plug the Light into a standard, grounded 120V electrical outlet.
2. Press the Switch on the back of the unit to turn the Light on.
3. **WARNING! Keep the Light away from combustible objects. The light and housing will get hot enough to start a fire.**
3. To prevent accidents, turn off the Light and disconnect its power supply after use. Clean, then store the Light indoors out of children's reach.

MAINTENANCE AND SERVICING



WARNING Risk of serious personal injury from accidental starting or electric shock. Turn the Power Switch of the Light to its "OFF" position and unplug the Light from its electrical outlet before performing any inspection, maintenance, or cleaning procedures.

Cleaning, maintenance, and lubrication

1. **BEFORE EACH USE**, inspect the general condition of the Light. Check for loose screws, misalignment or binding of moving parts, cracked or broken parts, damaged electrical wiring, and any other condition that may affect its safe operation.
2. **AFTER USE**, clean external surfaces of the Light with clean, moist cloth.
3. **WARNING! If the supply cord of this Light is damaged, it must be replaced only by a qualified service technician.**

PLEASE READ THE FOLLOWING CAREFULLY

THE MANUFACTURER AND/OR DISTRIBUTOR HAS PROVIDED THE PARTS LIST AND ASSEMBLY DIAGRAM IN THIS MANUAL AS A REFERENCE TOOL ONLY. NEITHER THE MANUFACTURER OR DISTRIBUTOR MAKES ANY REPRESENTATION OR WARRANTY OF ANY KIND TO THE BUYER THAT HE OR SHE IS QUALIFIED TO MAKE ANY REPAIRS TO THE PRODUCT, OR THAT HE OR SHE IS QUALIFIED TO REPLACE ANY PARTS OF THE PRODUCT. IN FACT, THE MANUFACTURER AND/OR DISTRIBUTOR EXPRESSLY STATES THAT ALL REPAIRS AND PARTS REPLACEMENTS SHOULD BE UNDERTAKEN BY CERTIFIED AND LICENSED TECHNICIANS, AND NOT BY THE BUYER. THE BUYER ASSUMES ALL RISK AND LIABILITY ARISING OUT OF HIS OR HER REPAIRS TO THE ORIGINAL PRODUCT OR REPLACEMENT PARTS THERETO, OR ARISING OUT OF HIS OR HER INSTALLATION OF REPLACEMENT PARTS THERETO.

PARTS LIST

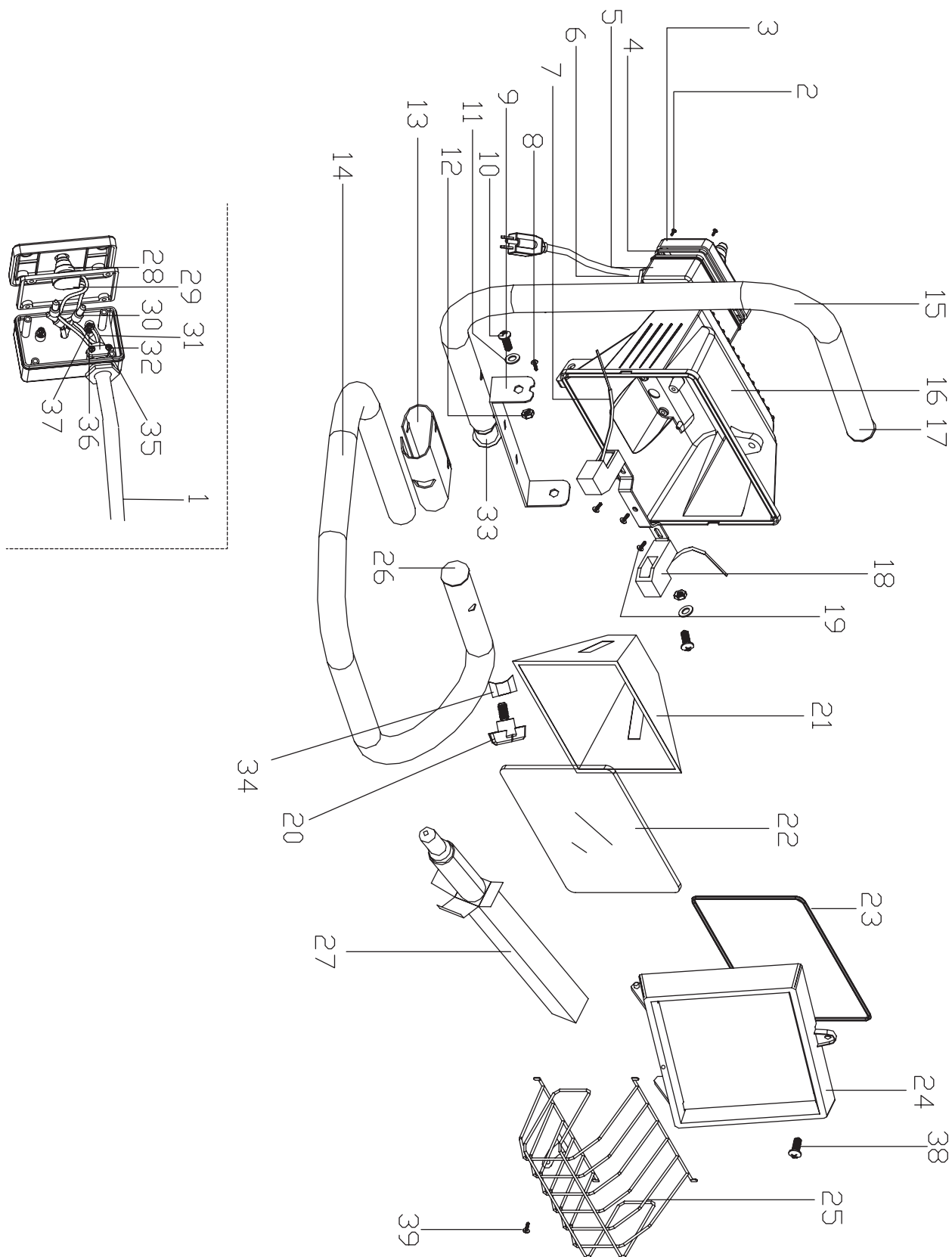
Part	Description	Qty	Part	Description	Qty
1	Power Cord	1	21	Reflector	1
2	Screw M4*16	4	22	Glass	1
3	Junction Box Cover	1	23	Seal Ring	1
4	Pad For Junction Box Cover	1	24	Lamp Cover	2
5	Junction Box Base	1	25	Wire Cover	1
6	Junction Box Hex Sleeve	1	26	Plastic Long Plug	1
7	Sleeve	2	27	Bulb	1
8	Bolt M4*6	1	28	Switch Cover	1
9	Fasten Bracket	1	29	Switch	1
10	Bolt M6*14	2	30	Wire Nut	1
11	Washer	2	31	Wire Press Board	1
12	Hex Nut	4	32	Screw M4*12	2
13	Bracket	1	33	Plastic Short Plug	3
14	Lower Grip	1	34	Concave Washer	1
15	Upper Grip	1	35	Large Washer	1
16	Shell	1	36	Gear Washer	1
17	Soft Sleeve	1	37	Spring Washer	1
18	Bulb Socket	1	38	Bolt	1
19	Bolt M4*6	3	39	Screw	1
20	Knob M6*16	1			

Record Product's Serial Number Here: _____

Note: If product has no serial number, record month and year of purchase instead.

Note: Some parts are listed and shown for illustration purposes only, and are not available individually as replacement parts.

ASSEMBLY DIAGRAM



LIMITED 90 DAY WARRANTY

Harbor Freight Tools Co. makes every effort to assure that its products meet high quality and durability standards, and warrants to the original purchaser that this product is free from defects in materials and workmanship for the period of 90 days from the date of purchase. This warranty does not apply to damage due directly or indirectly, to misuse, abuse, negligence or accidents, repairs or alterations outside our facilities, criminal activity, improper installation, normal wear and tear, or to lack of maintenance. We shall in no event be liable for death, injuries to persons or property, or for incidental, contingent, special or consequential damages arising from the use of our product. Some states do not allow the exclusion or limitation of incidental or consequential damages, so the above limitation of exclusion may not apply to you. THIS WARRANTY IS EXPRESSLY IN LIEU OF ALL OTHER WARRANTIES, EXPRESS OR IMPLIED, INCLUDING THE WARRANTIES OF MERCHANTABILITY AND FITNESS.

To take advantage of this warranty, the product or part must be returned to us with transportation charges prepaid. Proof of purchase date and an explanation of the complaint must accompany the merchandise. If our inspection verifies the defect, we will either repair or replace the product at our election or we may elect to refund the purchase price if we cannot readily and quickly provide you with a replacement. We will return repaired products at our expense, but if we determine there is no defect, or that the defect resulted from causes not within the scope of our warranty, then you must bear the cost of returning the product.

This warranty gives you specific legal rights and you may also have other rights which vary from state to state.

3491 Mission Oaks Blvd. • PO Box 6009 • Camarillo, CA 93011 • (800) 444-3353

Record Product's Serial Number Here: _____

Note: If product has no serial number, record month and year of purchase instead.

Note: Some parts are listed and shown for illustration purposes only, and are not available individually as replacement parts.